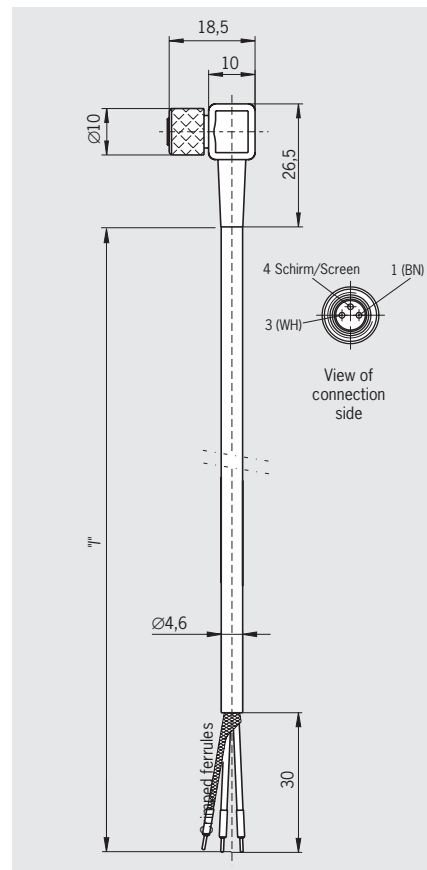
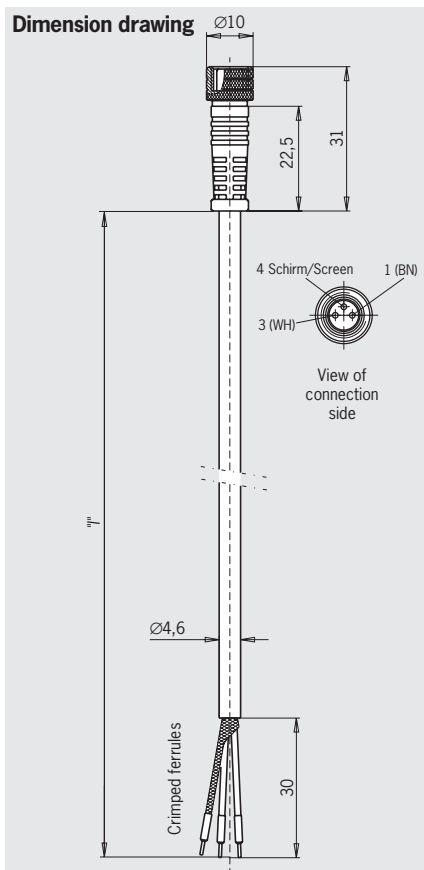




► For read heads with M8 plug connector

For CES-A-L.../CEM-A-L.../CET-AX
Straight, M8 socket, 3-pin

For CES-A-L.../CEM-A-L.../CET-AX
Angled, M8 socket, 3-pin



Ordering table

Use	Plug connectors	Cable type	Cable length [m]	Order no / item
For read heads CES-A-L.../ CEM-A-L.../ CET-AX-L...-SC	Straight	V Cable PVC	3	077 935 C-M08F03-02X025PV03,0-ZN-077935
			5	077 793 C-M08F03-02X025PV05,0-ZN-077793
			10	077 767 C-M08F03-02X025PV10,0-ZN-077767
			20	077 716 C-M08F03-02X025PV20,0-ZN-077716
			25	077 717 C-M08F03-02X025PV25,0-ZN-077717
	Straight	P Cable PUR	5	084 762 C-M08F03-02X025PU05,0-ZN-084762
			10	084 763 C-M08F03-02X025PU10,0-ZN-084763
			15	084 764 C-M08F03-02X025PU15,0-ZN-084764
			20	084 765 C-M08F03-02X025PU20,0-ZN-084765
			25	084 766 C-M08F03-02X025PU25,0-ZN-084766
	Angled	V Cable PVC	10	084 701 C-M08F03-02X025PV10,0-ZN-084701
			25	099 998 C-M08F03-02X025PV25,0-ZN-099998
		P Cable PUR	10	098 590 C-M08F03-02X025PU10,0-ZN-098590

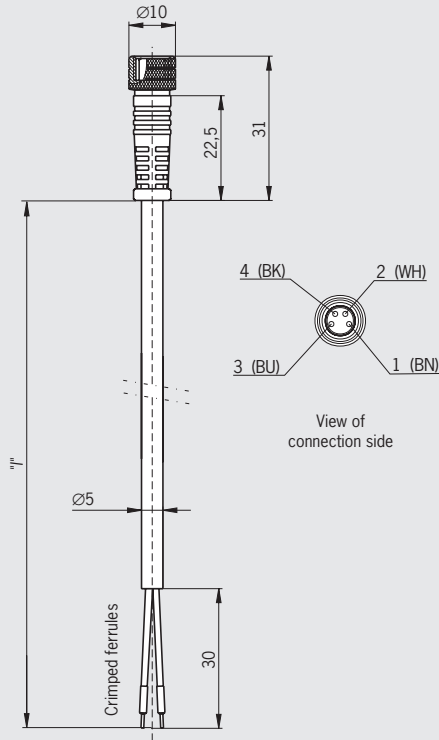
Technical data

Parameter	Value			Unit
	min.	typ.	max.	
Plug connectors	3-pin M8 female plug, straight			
Connection type	Screw terminal, knurled nut not connected to cable screen			
Conductor cross-section	2 x 0.25 screened			mm ²
Material, outer sheath	PVC Ø 4.6 or PUR Ø 4.8 (PUR cables are suitable for drag chains)			mm
Cable length	Max. 25 (taking into account the switching distance)			m

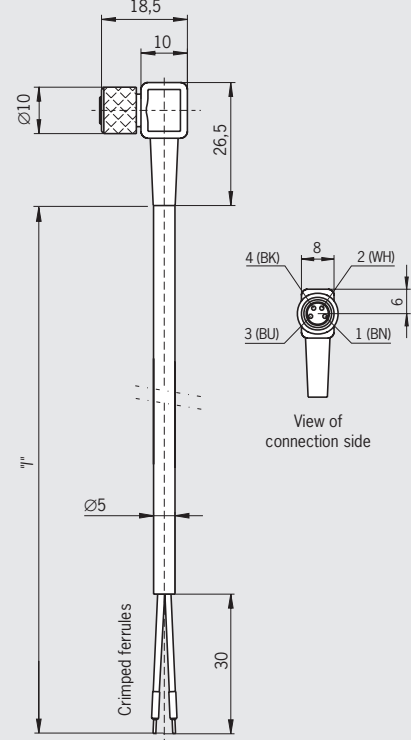
Connection cables with plug connectors

For solenoid operating voltage read head CEM/CET-AX
Straight, M8 plug, 4-pin

Dimension drawing



For solenoid operating voltage read head CEM/CET-AX
Angled, M8 plug, 4-pin



Ordering table

Use	Plug connectors	Cable type	Cable length [m]	Order no / item
For solenoid operating voltage read heads CEM-A-L.../CET-AX-L...-SC	Straight	V Cable PVC	5	088 813 C-M08F04-04X025PV05,0-ZN-088813
			10	088 814 C-M08F04-04X025PV10,0-ZN-088814
			15	088 815 C-M08F04-04X025PV15,0-ZN-088815
			25	095 035 C-M08F04-04X025PV25,0-ZN-095035
			50	097 100 C-M08F04-04X025PV50,0-ZN-097100
	Angled	V Cable PVC	10	084 703 C-M08F04-04X025PV10,0-ZN-084703

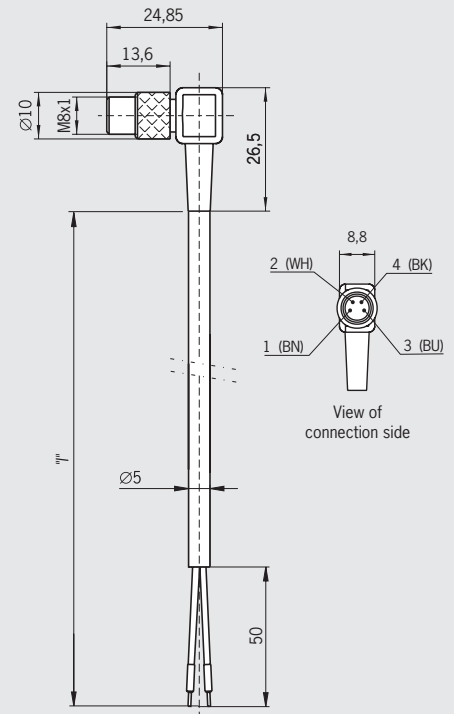
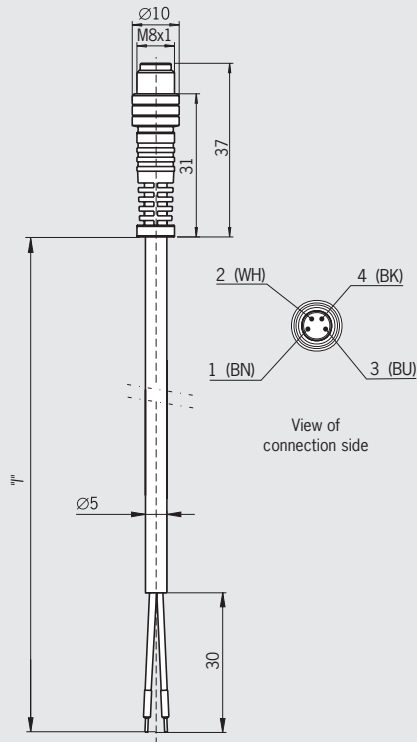
Technical data

Parameter	Value			Unit
	min.	typ.	max.	
Plug connectors	4-pin M8 female plug			
Connection type	Screw terminal			
Conductor cross-section	4 x 0.25			mm ²
Material, connector housing	PUR black			
Material, outer sheath	PVC Ø 5.0			mm
Material, union nut	CuZn nickel-plated			
Bending radius	Min. 70			mm

For LED display read head CEM-A-LH10...
Straight, M8 female plug, 4-pin

For LED display read head CEM-A-LH10...
Angled, M8 female plug, 4-pin

Dimension drawing



Ordering table

Use	Plug connectors	Cable type	Cable length [m]	Order no / item
For LED display read head CEM-A-LH10...	Straight	V Cable PVC	2	088 841 C-M08M04-04X025PV02,0-ZN-088841
			5	088 842 C-M08M04-04X025PV05,0-ZN-088842
			10	088 843 C-M08M04-04X025PV10,0-ZN-088843
			15	088 844 C-M08M04-04X025PV15,0-ZN-088844
	Angled	V Cable PVC	10	084 705 C-M08M04-04X025PV10,0-ZN-084705

Technical data

Parameter	Value			Unit
	min.	typ.	max.	
Plug connectors	4-pin M8 female plug			
Connection type	Screw terminal			
Conductor cross-section	4 x 0.25			mm ²
Material, connector housing	PUR black			
Material, outer sheath	PVC Ø 5.0			mm
Material, union nut	CuZn nickel-plated			
Bending radius	Min. 10 x sheath diameter			mm